

Technical data sheet NEW ELEVATOR TANK

1. DESCRIPTION

Modular single-use system, for underground water tank up to 300cm height.



2. TECHNICAL SPECIFICATION

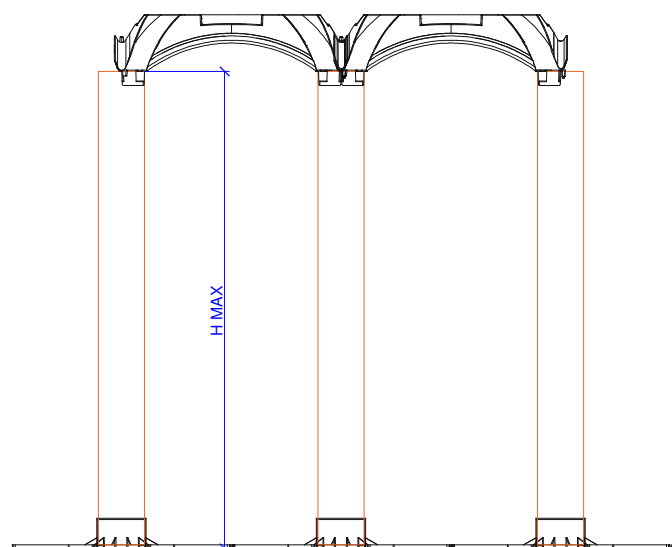
Formwork and grid material	-	Recycled polypropylene (PP) 97-99%
	-	Additives 1-3%
Pipe material	-	Polyvinyl chloride (PVC) about 75%
	-	Calcium Carbonate about 25%
	-	Waxes / Titanium Dioxide about 1-2%
Percentage of recycled material (ref. To formwork and grid)	%	100
Formwork and grid / pipe colour	-	Black / Orange
Formwork dimensions*	cm	58 x 58 x H15
Grid dimensions*	cm	58 x 58 x H2.5
Weight formwork / grid	kg	1.43 (± 10%) / 0.41 (± 10%)
Concrete consumption up to the formwork's satin**	m ³ /m ²	[0,037 X (New Elevator height in meter - 0,15)] + 0,030
Place of production	-	Italy

* in consideration of the recycled material, the measures should be evaluated with a tolerance of ± 1,5%

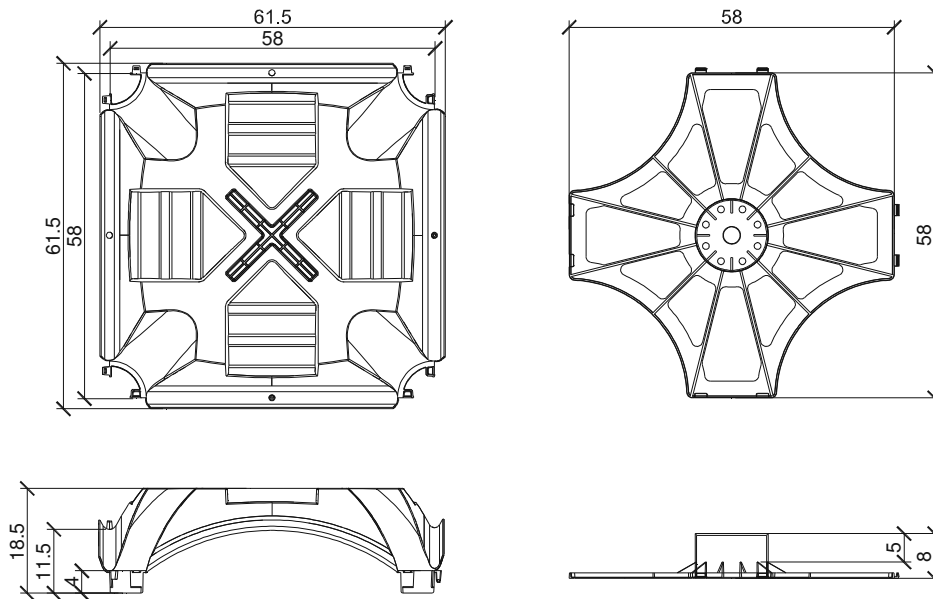
** The volume is subject to changes depending on the casting conditions and material tolerances

3. VOLUME OF RESERVOIR

H System	H MAX tank	Volume reservoir	
		m ³ /m ²	l/m ²
80	65	0,626	626
90	75	0,722	722
100	85	0,819	819
110	95	0,915	915
120	105	1,011	1.011
130	115	1,108	1.108
140	125	1,204	1.204
150	135	1,300	1.300
160	145	1,397	1.397
170	155	1,493	1.493
180	165	1,589	1.589
190	175	1,686	1.686
200	185	1,782	1.782
210	195	1,878	1.878
220	205	1,975	1.975
230	215	2,071	2.071
240	225	2,167	2.167
250	235	2,264	2.264



4. TECHNICAL DRAWINGS

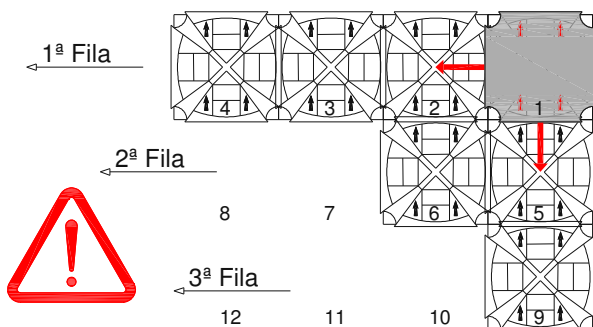


5. PACKAGING AND TRANSPORT

Formwork / grid / pipe code	-	EELEVEN5858 / EELBASE5858 / EELTUBOXXX
Formwork / grid packaging dimensions	cm	120 x 120 x H265 / 110 x 110 x H240
Type of packaging	-	Stacked and wrapped in plastic film on pallet
Quantity per packaging formwork / grid	pz	225 / 310
Package gross weight formwork / grid (pallet included)	kg	339 / 145

6. INSTALLATION METHOD

The New Elevator Tank installation is carried out by placing the formwork from right to left and from top to bottom, always keeping the arrow printed upwards. It is essential to check the correct fitting of the feet.



Before starting to install the elements, we recommend that you consult Geoplast® project tables to position the elements appropriately. For a correct installation, in compliance with safety regulations, please refer to the installation manual.

Technical data sheet PIPE

1. DESCRIPTION

PVC support structure with an external diameter of 125mm and a thickness of 1.8mm.



2. REFERENCE DIMENSIONS

Length	cm	75>200
External diameter	mm	125
Thickness	mm	1.8 / 2.0

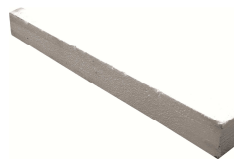
3. PACKAGING AND TRANSPORT

Product code	-	EELTUBOXXX
--------------	---	------------

Technical data sheet LINTEL

1. DESCRIPTION

Polystyrene lintel for lateral closure of the remaining space between formwork and wall.



2. REFERENCE DIMENSIONS

Length	cm	100
Width	cm	10
Thickness	cm	8

3. PACKAGING AND TRANSPORT

Product code	-	EELIST0100
--------------	---	------------