

Technical Data Sheet AQUABOX HPR

1. DESCRIPTION

Aquabox is a modular and inspectable element in plastic material used for the realization of underground basins for rainwater infiltration, detention and harvesting.

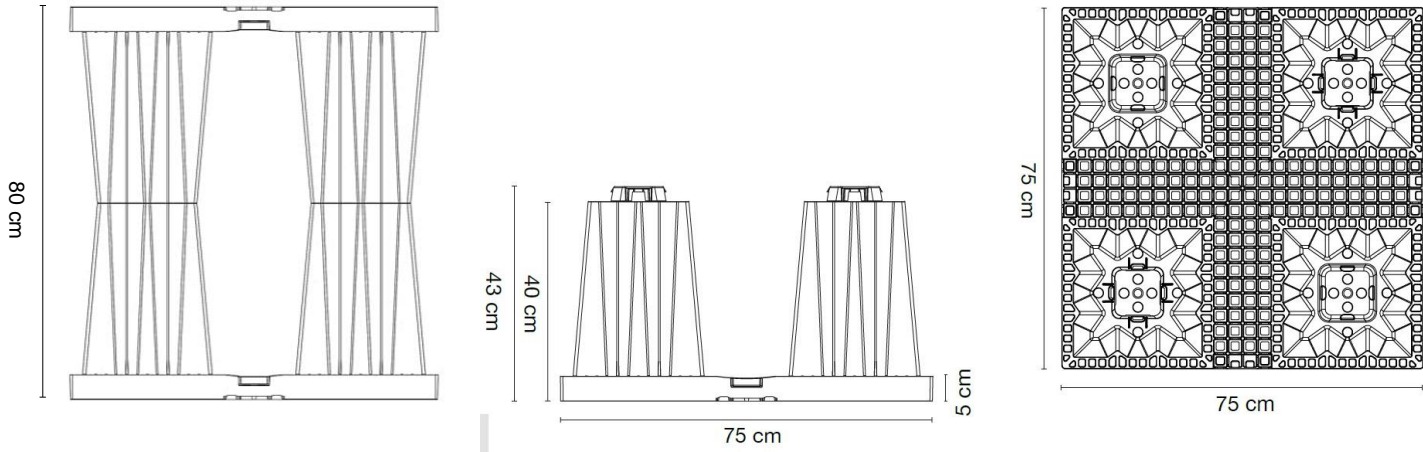


2. TECHNICAL SPECIFICATIONS

Material		Virgin PP compound	
Color	-	Black	
Dimensions [LxL] *	cm	75 x 75	
Height [h] *	cm	Half element 43	Full element 80
Weight **	kg	10,23	20,46
Volume	liters	225	450
Net volume	liters	216	432
Void Ratio	%	96	
Load Class	-	SLW 60	
Production place	-	Italy	

* in consideration of the recycled material the measurements must be considered with a tolerance of $\pm 1.5\%$.
** varies according to the climatic conditions of the installation site ($\pm 10\%$)

3. TECHNICAL DRAWINGS



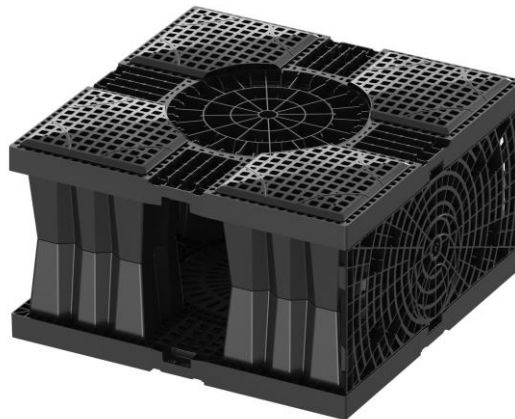
4. PACKAGING AND TRANSPORT

Product code	-	EDAQUVE1540
Packaging dimensions	cm	80 x 152 x H258
Type of packaging	-	Stacked and wrapped with plastic film
Pieces per pallet	pcs	80
Package gross weight (pallet included)	kg	730

Technical Data Sheet AQUABOX CUBE HPR

5. DESCRIPTION

Aquabox Cube is a modular hollow element designed to make inspection shafts for the inspection and management of Aquabox underground tanks.

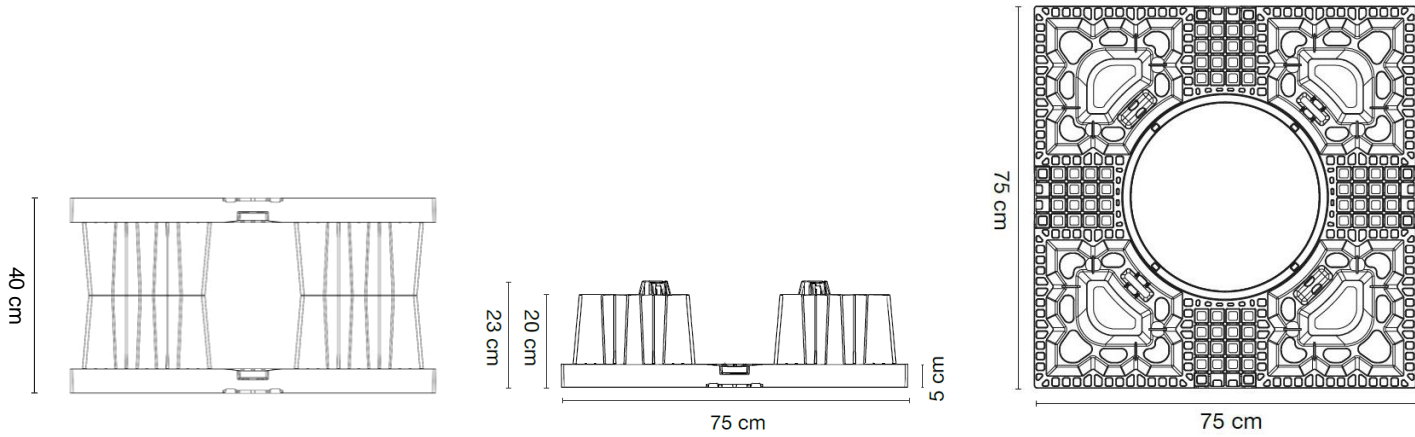


6. TECHNICAL SPECIFICATIONS

Material		Virgin PP compound	
Color	-	Black	
Dimensions [LxL] *	cm	75 x 75	
Height [h] *	cm	Half element 23	Full element 40
Weight **	kg	7,37	14,74
Volume	liters	112	225
Net volume	liters	106	212
Void Ratio	%	94	
Load Class	-	SLW 60	
Production place	-	Italy	

* in consideration of the recycled material the measurements must be considered with a tolerance of $\pm 1.5\%$.
** varies according to the climatic conditions of the installation site ($\pm 10\%$)

7. TECHNICAL DRAWINGS



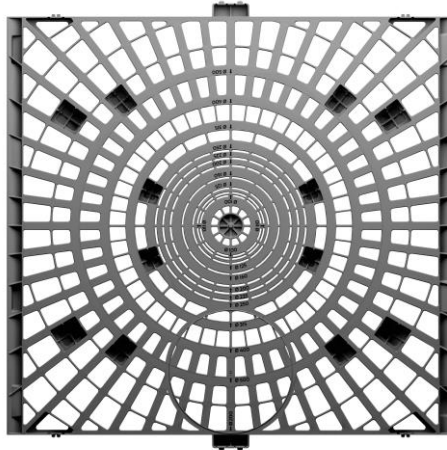
8. PACKAGING AND TRANSPORT

Product code	-	EDAQUVE0200
Packaging dimensions	cm	80 x 152 x H255
Type of packaging	-	Stacked and wrapped with plastic film
Pieces per pallet	pcs	88
Package gross weight (pallet included)	kg	300

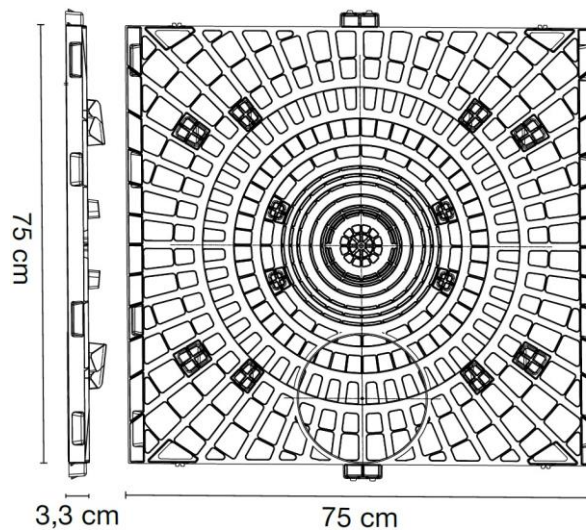
Technical data sheet SIDEWALL GRID HPR

9. DESCRIPTION

Aquabox Sidewall grid is used to close the lateral surface of the basin and is fixed to Aquabox with a simple integrated clip.



10. TECHNICAL DRAWINGS



** in consideration of the recycled material the measurements must be considered with a tolerance of $\pm 1.5\%$.*

11. TECHNICAL SPECIFICATIONS

Material	-	Virgin PP compound
Dimensions *	cm	75 x 75 x H3,3
Weight	kg	2,74 (\pm 10%)
Pipe nominal diameter inlet/outlet (DN/OD)	cm	100, 110, 125, 160, 200, 225, 250, 315, 400, 500
Production place	-	Italy

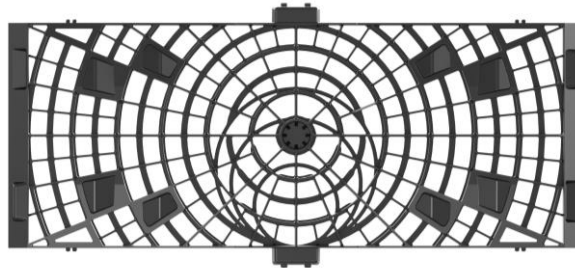
12. PACKAGING AND TRANSPORT

Product code	-	EDAQSWVE033
Packaging dimensions	cm	75 x 150 x H250
Type of packaging	-	Stacked and wrapped with plastic film
Pieces per pallet	pcs	140
Package gross weight (pallet included)	kg	350

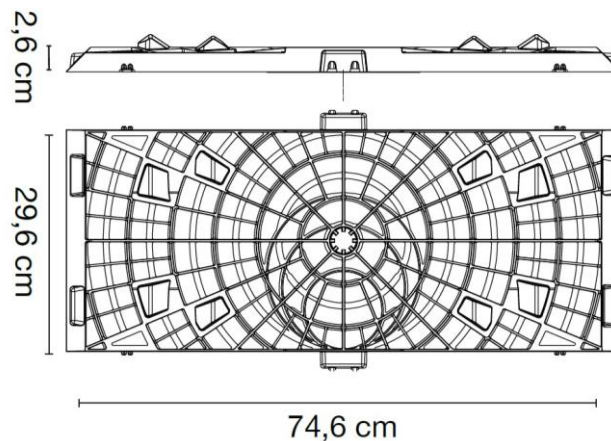
Technical data sheet SIDEWALL GRID CUBE HPR

13. DESCRIPTION

Aquabox Cube sidewall grid is used for the side closing of each module when the access point is installed at the perimeter or at the edge of the basin.



14. TECHNICAL DRAWINGS



** in consideration of the recycled material the measurements must be considered with a tolerance of $\pm 1.5\%$.*

15. TECHNICAL SPECIFICATIONS

Material	-	Virgin PP compound
Dimensions *	cm	75 x 30 x H2,6
Weight	kg	1,36 ($\pm 10\%$)
Pipe nominal diameter inlet/outlet (DN/OD)	cm	100,160, 200
Production place	-	Italy

16. PACKAGING AND TRANSPORT

Product code	-	EDAQUVE0026
Packaging dimensions	cm	75 x 150 x H250
Type of packaging	-	Impilato e avvolto in film plastico su bancale
Pieces per pallet	pcs	280
Package gross weight (pallet included)	kg	350

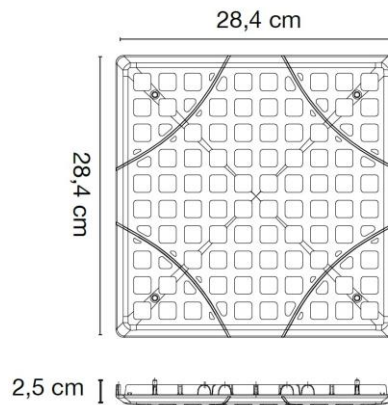
Technical data sheet HPR TOP CAP

17. DESCRIPTION

Perforated closing cap for the top surface of the Aquabox and Aquabox Cube element.



18. TECHNICAL DRAWINGS



19. TECHNICAL SPECIFICATIONS

Material	-	Virgin PP compound
Dimensions *	cm	28,4 x 28,4 x H2,5
Weight	kg	0,33 (± 10%)
Production place	-	Italy

** in consideration of the recycled material the measurements must be considered with a tolerance of ± 1.5%.*

20. PACKAGING AND TRANSPORT

Product code	-	EDAQTFV1524
Packaging dimensions	cm	90 x 120 x H255
Type of packaging	-	Impilato e avvolto in film plastico su bancale
Pieces per pallet	pcs	1200
Package gross weight (pallet included)	kg	410

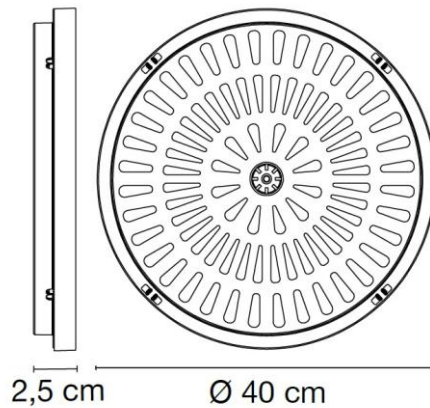
Technical data sheet D4 HPR CAP

21. DESCRIPTION

Circular lid to close the bottom side of the Aquabox Cube inspection shaft.



22. TECHNICAL DRAWINGS



** in consideration of the recycled material the measurements must be considered with a tolerance of $\pm 1.5\%$.*

23. TECHNICAL SPECIFICATIONS – PACKAGING AND TRANSPORT

Product code	-	EDAQCVE0400
Material	-	Virgin PP compound
Dimensions	cm	2,5 - Ø 40
Weight	kg	1,11 ($\pm 10\%$)
Packaging dimensions	cm	82 x 122 x H258
Pieces per pallet		312
Production place	-	Italy

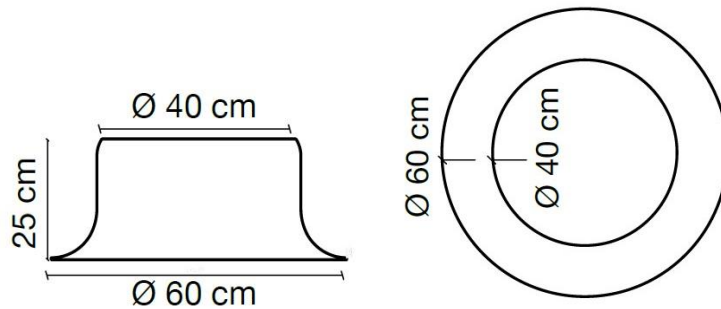
Technical data sheet D4 CONNECTOR

24. DESCRIPTION

Connection element to facilitate the insertion of the corrugated tube into the Aquabox Cube pit.



25. TECHNICAL DRAWINGS



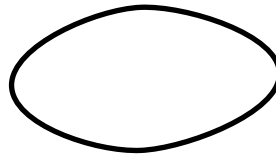
26. TECHNICAL SPECIFICATIONS

Product code	-	EDCONND0040
Material	-	ABS – Type: Gratene Black
Dimensions	cm	Ø 40 x 25
Weight	kg	1,3
Production place	-	Italy

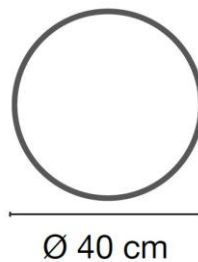
Technical data sheet O-RING

27. DESCRIPTION

Sealing gasket



28. TECHNICAL DRAWINGS



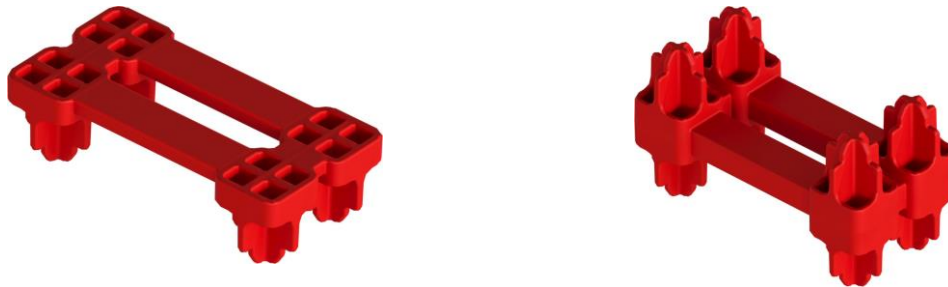
29. TECHNICAL SPECIFICATIONS

Product code	-	EDGUARA0040
Material	-	Elastomer
Dimensions	cm	Ø 40 x 3,7
Weight	kg	0,51
Production place	-	Italy

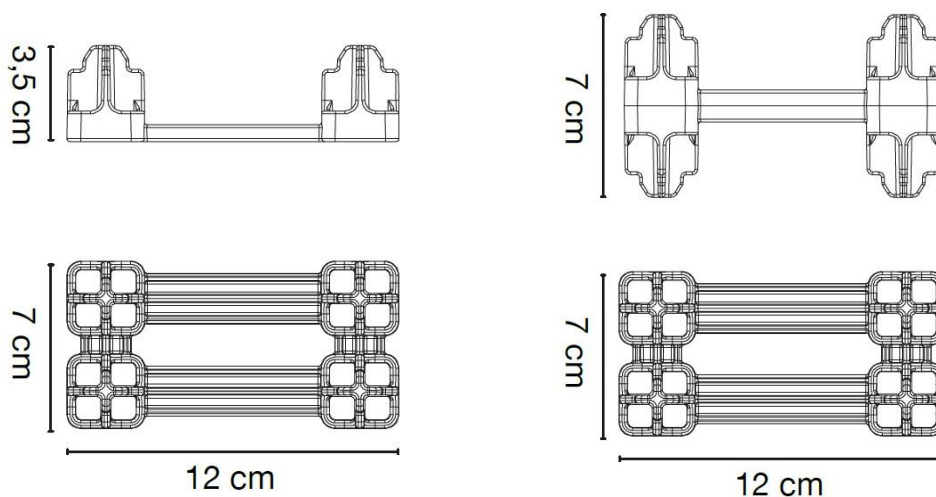
Technical data sheet JOINTS

30. DESCRIPTION

Universal connection components for Aquabox and Aquabox Cube



31. TECHNICAL DRAWINGS



32. TECHNICAL SPECIFICATIONS – PACKAGING AND TRANSPORT

Product code	-	EDAQJOI0035	EDAQJOI0070
Material	-	Virgin PP compound	
Color	-	Red	
Dimensions	cm	Single 12 x 7 x H3,5	Double 12 x 7 x H7
Weight	kg	0,042 (± 10%)	0,073 (± 10%)
Pieces per bag		400	300
Production place	-	Italy	Italy